

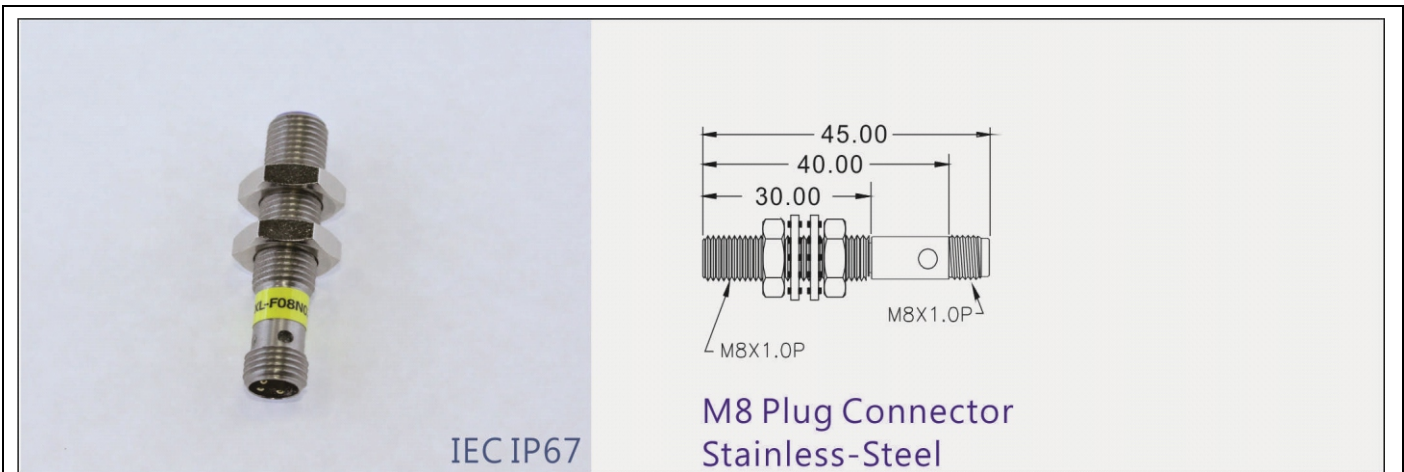
### M8 Series

**No-touch operation · high response frequency · wide range application.**  
**Variety of specification · switching output · dimension and housing material.**  
**Variable with cable or connector version · customer-specific versions available.**

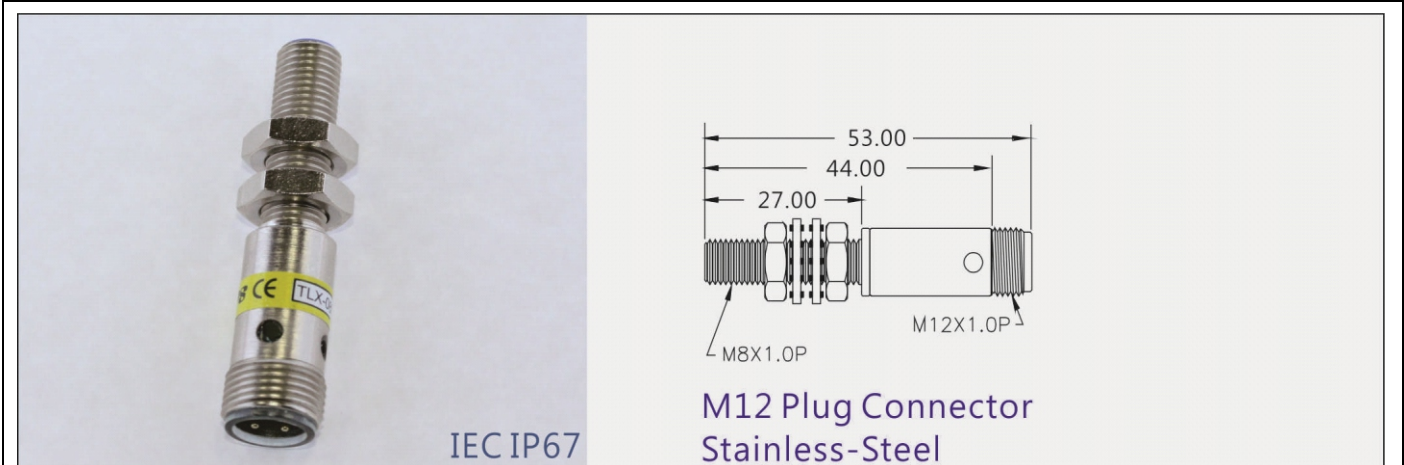
**Reverse polarity and Swapped signal wires protection.**

**Good environmental resistance up to IP67.**

**All products are CE approved.**



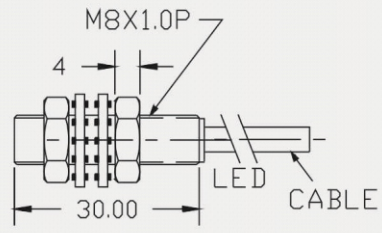
Switching Output	Model Number	Operating Voltage	Response Frequency	Sensing Distance
DC 3-Wire NPN NO	TLX-08GN01E1-V	DC 10~30V	1500Hz	1mm
DC 3-Wire NPN NC	TLX-08GN01E2-V			
DC 3-Wire PNP NO	TLX-08GP01E1-V			
DC 3-Wire PNP NC	TLX-08GP01E2-V			



Switching Output	Model Number	Operating Voltage	Response Frequency	Sensing Distance
DC 3-Wire NPN NO	TLX-08N01E1-V	DC 10~30V	1500Hz	1mm
DC 3-Wire NPN NC	TLX-08N01E2-V			
DC 3-Wire PNP NO	TLX-08P01E1-V			
DC 3-Wire PNP NC	TLX-08P01E2-V			



IEC IP67

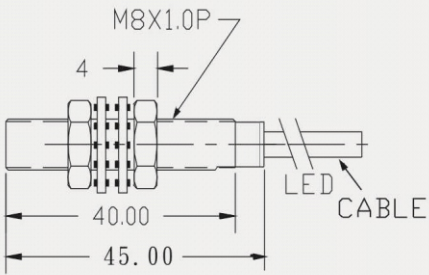


Pre-wired 2M Cable  
Stainless Steel

Switching Output	Model Number	Operating Voltage	Response Frequency	Sensing Distance
DC 3-Wire NPN NO	TLX-08GN01E1	DC 10~30V	1500Hz	1mm
DC 3-Wire NPN NC	TLX-08GN01E2			
DC 3-Wire PNP NO	TLX-08GP01E1			
DC 3-Wire PNP NC	TLX-08GP01E2			



IEC IP67

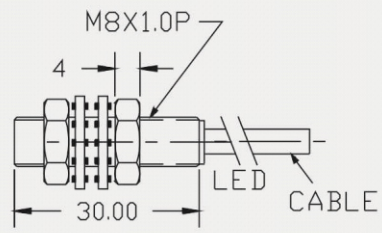


Pre-wired 2M Cable  
Stainless Steel

Switching Output	Model Number	Operating Voltage	Response Frequency	Sensing Distance
DC 3-Wire NPN NO	TLX-08N01E1	DC 10~30V	1500Hz	1mm
DC 3-Wire NPN NC	TLX-08N01E2			
DC 3-Wire PNP NO	TLX-08P01E1			
DC 3-Wire PNP NC	TLX-08P01E2			

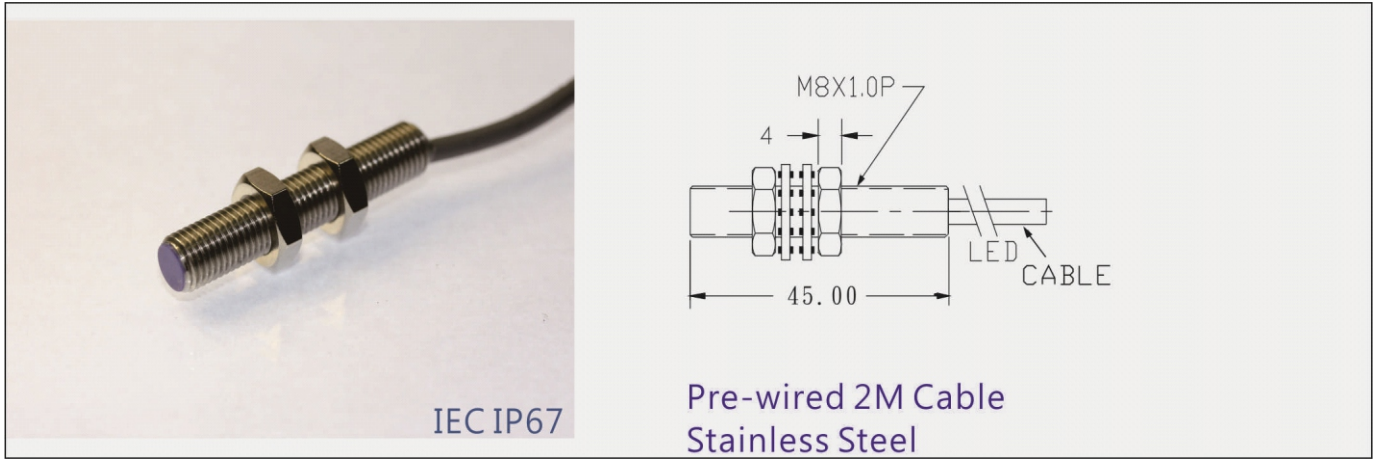


IEC IP67



Pre-wired 2M Cable  
Stainless Steel

Switching Output	Model Number	Operating Voltage	Response Frequency	Sensing Distance
DC 3-Wire NPN NO	XN-F08GN01E1	DC 10~30V	1500Hz	1mm
DC 3-Wire NPN NC	XN-F08GN01E2			
DC 3-Wire PNP NO	XN-F08GP01E1			

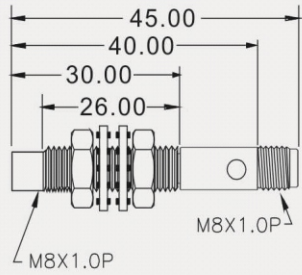


Switching Output	Model Number	Operating Voltage	Response Frequency	Sensing Distance
DC 4-Wire NPN NO&NC	XL-F08N01E3	DC 10~30V	1500Hz	1mm
DC 4-Wire PNP NO&NC	XL-F08P01E3			

Item	Specifications
Standard sensing object	Iron, 8x8x1 mm
Installation	Shielded
Load current	≤ 100mA
Operation indicator	Red LED
Circuits protection	Reversed polarity & Short circuit protection
Ambient temperature & humidity range	Operating : -20 ~ 70°C / RH 35 ~85% (with no icing or condensation)
Insulation resistance	50MΩ minimum. (at 500VDC) between current carry parts and case
Voltage with stand ability	1000VAC 50/60Hz for 1 minute between current carry parts and case



IEC IP67

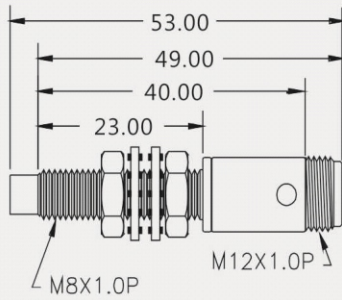


M8 Plug Connector  
Stainless-Steel

Switching Output	Model Number	Operating Voltage	Response Frequency	Sensing Distance
DC 3-Wire NPN NO	TLX-08GN02E1-V	DC 10~30V	1000Hz	2mm
DC 3-Wire NPN NC	TLX-08GN02E2-V			
DC 3-Wire PNP NO	TLX-08GP02E1-V			
DC 3-Wire PNP NO	TLX-08GP02E2-V			



IEC IP67

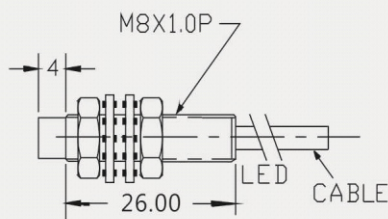


M12 Plug Connector  
Stainless-Steel

Switching Output	Model Number	Operating Voltage	Response Frequency	Sensing Distance
DC 3-Wire NPN NO	TLX-08N02E1-V	DC 10~30V	1000Hz	2mm
DC 3-Wire NPN NC	TLX-08N02E2-V			
DC 3-Wire PNP NO	TLX-08P02E1-V			
DC 3-Wire PNP NO	TLX-08P02E2-V			

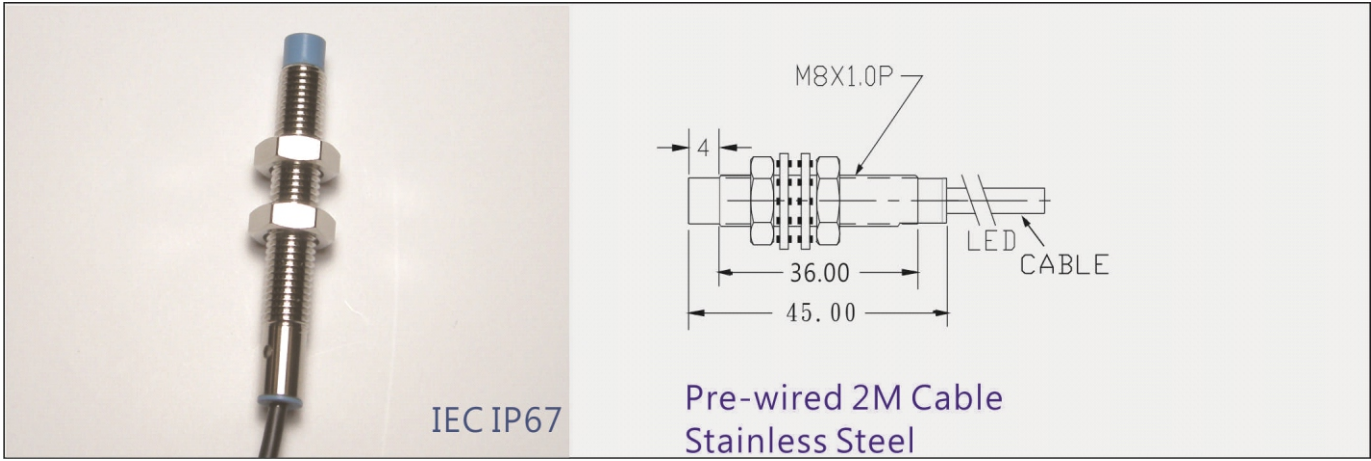


IEC IP67

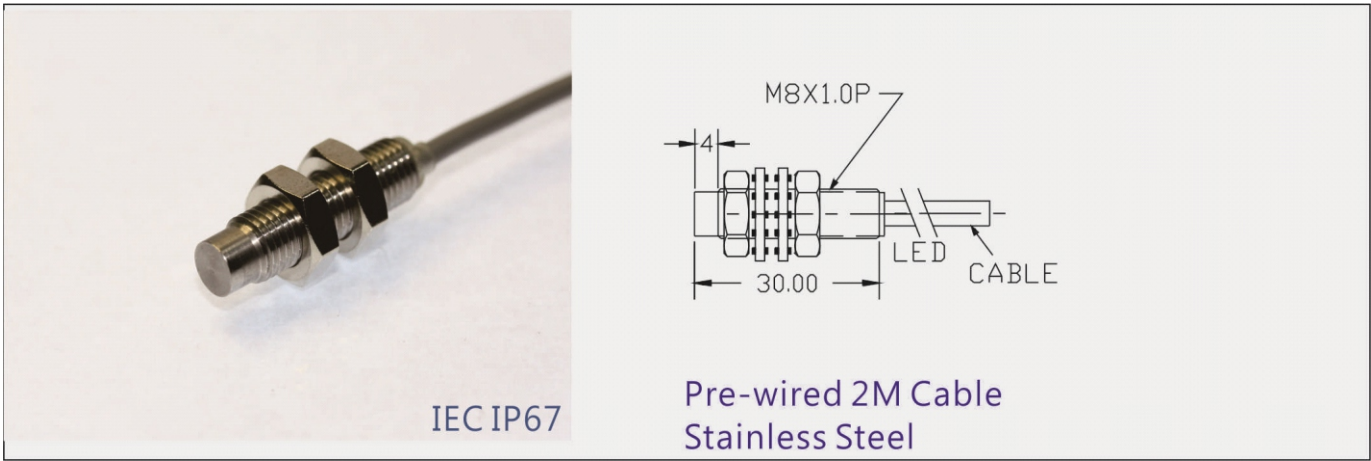


Pre-wired 2M Cable  
Stainless Steel

Switching Output	Model Number	Operating Voltage	Response Frequency	Sensing Distance
DC 3-Wire NPN NO	TLX-08GN02E1	DC 10~30V	1000Hz	2mm
DC 3-Wire NPN NC	TLX-08GN02E2			
DC 3-Wire PNP NO	TLX-08GP02E1			
DC 3-Wire PNP NC	TLX-08GP02E2			



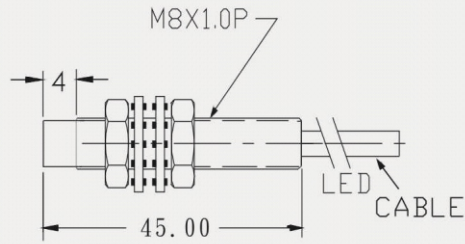
Switching Output	Model Number	Operating Voltage	Response Frequency	Sensing Distance
DC 3-Wire NPN NO	TLX-08N02E1	DC 10~30V	1000Hz	2mm
DC 3-Wire NPN NC	TLX-08N02E2			
DC 3-Wire PNP NO	TLX-08P02E1			
DC 3-Wire PNP NC	TLX-08P02E2			



Switching Output	Model Number	Operating Voltage	Response Frequency	Sensing Distance
DC 3-Wire NPN NO	XN-N08GN02E1	DC 10~30V	1000Hz	2mm
DC 3-Wire NPN NC	XN-N08GN02E2			
DC 3-Wire PNP NO	XN-N08GP02E1			



IEC IP67



Pre-wired 2M Cable  
Stainless Steel

Switching Output	Model Number	Operating Voltage	Response Frequency	Sensing Distance
DC 4-Wire NPN NO&NC	XL-N08N02E3	DC 10~30V	1000Hz	2mm
DC 4-Wire PNP NO&NC	XL-N08P02E3			

Item	Specifications
Standard sensing object	Iron, 8x8x1 mm
Installation	Unshielded
Load current	≤ 100mA
Operation indicator	Red LED
Circuits protection	Reversed polarity & Short circuit protection
Ambient temperature & humidity range	Operating : -20 ~ 70°C / RH 35 ~85% (with no icing or condensation)
Insulation resistance	50MΩ minimum. (at 500VDC) between current carry parts and case
Voltage with stand ability	1000VAC 50/60Hz for 1 minute between current carry parts and case

### Wiring Diagram :

