

XH-U3 Series

- Compact profile designed to fit into an aluminum frame.
- The sensing position of detected objects are easily visible and including large visible action indicator.
- Various detection distance (0~1.5M/0~5M), detection height (120~1240mm) and beam-pitch (25/40mm).
- Equipped with Light ON and Dark ON two functions.
- Good environmental resistance up to IP65, all products are CE approved.



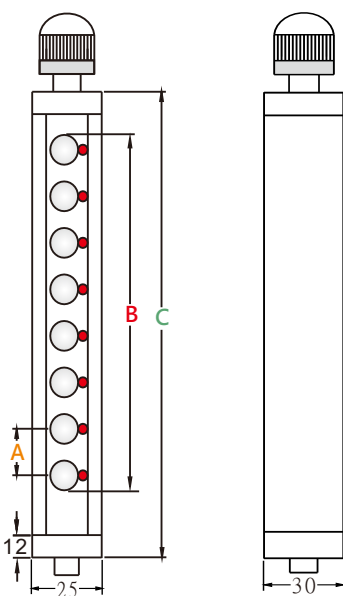
Model Number	Switching output	Sensing Distance	Number of Beams	Beam-Pitch(A)	Detection Height(B)	Light Curtain Height(C)		
XH8-1MN-U3	NPN NO & NC	0 ~ 1.5M	8	25mm	175mm	263mm		
XH8-5MN-U3		0 ~ 5M						
XH8-1MP-U3	PNP NO & NC	0 ~ 1.5M						
XH8-5MP-U3		0 ~ 5M						
XH12-1MN-U3	NPN NO & NC	0 ~ 1.5M	12		25mm	275mm	363mm	
XH12-5MN-U3		0 ~ 5M						
XH12-1MP-U3	PNP NO & NC	0 ~ 1.5M						
XH12-5MP-U3		0 ~ 5M						
XH16-1MN-U3	NPN NO & NC	0 ~ 1.5M	16			25mm	375mm	463mm
XH16-5MN-U3		0 ~ 5M						
XH16-1MP-U3	PNP NO & NC	0 ~ 1.5M						
XH16-5MP-U3		0 ~ 5M						
XH20-1MN-U3	NPN NO & NC	0 ~ 1.5M	20	25mm			475mm	563mm
XH20-5MN-U3		0 ~ 5M						
XH20-1MP-U3	PNP NO & NC	0 ~ 1.5M						
XH20-5MP-U3		0 ~ 5M						

XH24-1MN-U3	NPN NO & NC	0 ~ 1.5M	24	575mm	663mm
XH24-5MN-U3		0 ~ 5M			
XH24-1MP-U3	PNP NO & NC	0 ~ 1.5M			
XH24-5MP-U3		0 ~ 5M			
XH4-1MN-U3-40	NPN NO & NC	0 ~ 1.5M	4	120mm	215mm
XH4-5MN-U3-40		0 ~ 5M			
XH4-1MP-U3-40	PNP NO & NC	0 ~ 1.5M			
XH4-5MP-U3-40		0 ~ 5M			
XH6-1MN-U3-40	NPN NO & NC	0 ~ 1.5M	6	200mm	295mm
XH6-5MN-U3-40		0 ~ 5M			
XH6-1MP-U3-40	PNP NO & NC	0 ~ 1.5M			
XH6-5MP-U3-40		0 ~ 5M			
XH8-1MN-U3-40	NPN NO & NC	0 ~ 1.5M	8	280mm	375mm
XH8-5MN-U3-40		0 ~ 5M			
XH8-1MP-U3-40	PNP NO & NC	0 ~ 1.5M			
XH8-5MP-U3-40		0 ~ 5M			
XH12-1MN-U3-40	NPN NO & NC	0 ~ 1.5M	12	440mm	535mm
XH12-5MN-U3-40		0 ~ 5M			
XH12-1MP-U3-40	PNP NO & NC	0 ~ 1.5M			
XH12-5MP-U3-40		0 ~ 5M			
XH16-1MN-U3-40	NPN NO & NC	0 ~ 1.5M	16	600mm	695mm
XH16-5MN-U3-40		0 ~ 5M			
XH16-1MP-U3-40	PNP NO & NC	0 ~ 1.5M			
XH16-5MP-U3-40		0 ~ 5M			
XH20-1MN-U3-40	NPN NO & NC	0 ~ 1.5M	20	760mm	855mm
XH20-5MN-U3-40		0 ~ 5M			
XH20-1MP-U3-40	PNP NO & NC	0 ~ 1.5M			
XH20-5MP-U3-40		0 ~ 5M			
XH24-1MN-U3-40	NPN NO & NC	0 ~ 1.5M	24	920mm	1015mm
XH24-5MN-U3-40		0 ~ 5M			
XH24-1MP-U3-40	PNP NO & NC	0 ~ 1.5M			
XH24-5MP-U3-40		0 ~ 5M			
XH32-1MN-U3-40	NPN NO & NC	0 ~ 1.5M	32	1240mm	1335mm
XH32-5MN-U3-40		0 ~ 5M			
XH32-1MP-U3-40	PNP NO & NC	0 ~ 1.5M			
XH32-5MP-U3-40		0 ~ 5M			

Item	Specifications
Sensing method	Through-beam
Standard sensing object	Beam-Pitch 25mm : Opaque 35mm Beam-Pitch 40mm : Opaque 50mm

Operating voltage	DC 12~24V±10%
Response time	< 24ms
Load current	< 200mA
Light source	Infrared LED
Operation indicator	Yellow LED
Circuits protection	Reversed polarity & Short circuit protection
Enclosure protection	IEC IP65
Ambient temperature & humidity range	Operating : -10 ~ 55°C / RH 35 ~ 85% (with no icing or condensation)
Ambient illumination	Lamplight < 3000 Lux / Sunlight < 10000 Lux
Housing material	Case : Aluminum 、 Cast Iron / Lens : Acrylic
Connecting method	Cable with M12 Plug Connector
Accessories	Mounting bracket 、 Screws 、 Operation indicator

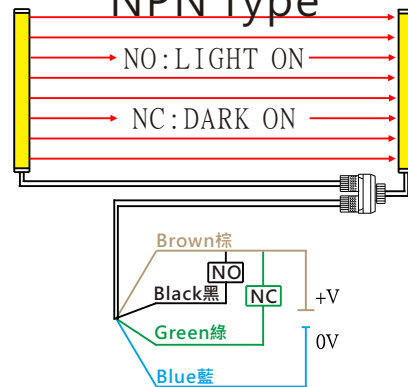
Dimension



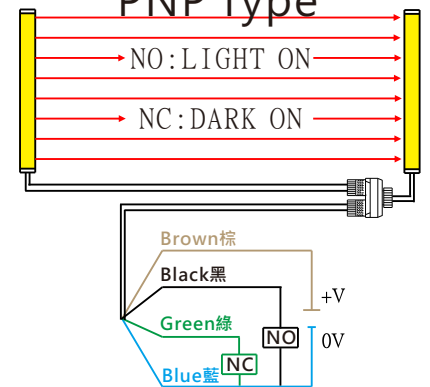
Wiring Diagram

Y-connecting method

NPN Type



PNP Type



Direct connecting method

